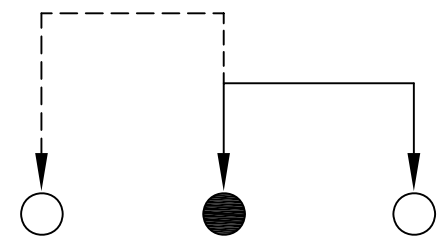
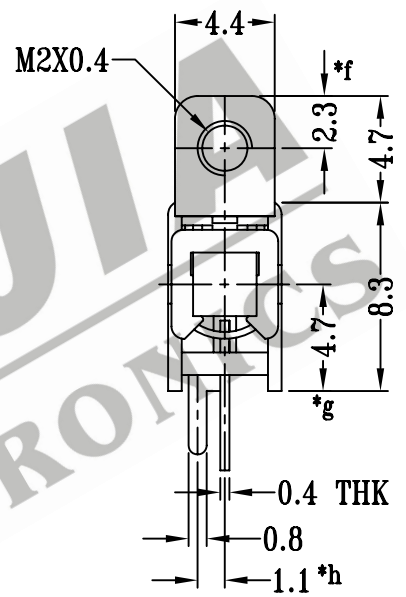
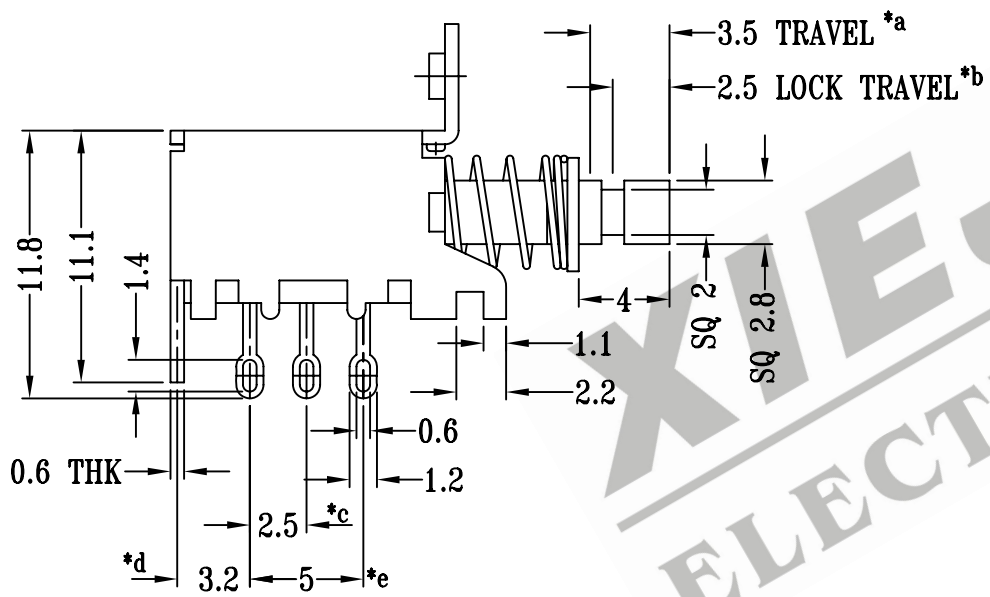
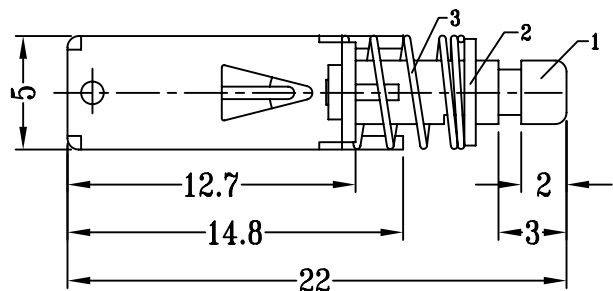
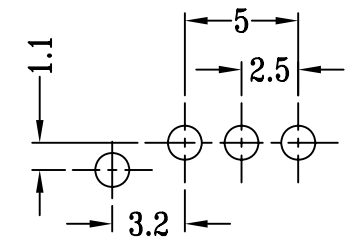


CAD FILE:



**SCHEMATIC (NON-SHORTING)**



**P.C.B LAYOUT**

注:带"\*"表示关键尺寸(8个)

9	CONTACT CLIP	PBS	1	Ag CLAD
8	TERMINAL	BRASS STRIP	3	Ag PLATED OVER Ni PLATED
7	BASE	PHENOLIC RESIN	1	NATURAL
6	FRAME	STEEL STRIP	1	Ni PLATED
5	LOCK NEEDLE	PBS WIRE	1	NATURAL
4	SPRING PLATE	PBS STRIP	1	NATURAL
3	SPRING	STAINLESS STEEL	1	Ni PLATED
2	BLOCK	STEEL STRIP	1	Ni PLATED
1	KNOB	POM	1	BLUE
NO.	PARTS	MATERIALS	Q'TY	FINISH

TOLERANCE UNLESS SPECIFIED		SHENZHEN XIEJIA ELECTRONICS CO.,LTD.		
WITHIN: 1.5±0.1mm OVER: 1.5±0.2mm		ISSUE	DATE	DESCRIPTIONS OF REVISION
TITLE : PUSH SWITCH		UNIT : mm	DRWG NO.: XJ-DR-PS12E01-00	
MODEL: PS-12E01		SCALE: 3:1	DWN. ZHOUYU	2001-7-23
ALL MATERIALS MUST BE COMPLIANT TO ROHS		APPD. KANGXINAN	FANGYING	2001-7-23
			KANGXINAN	2001-7-23